

### Fanless True-Flat Touch Screen POS Terminal

## POS-1000B-P



#### • Features

- Intel® Celeron® Bay Trail-D J1900 (up to 2.42 GHz)
- Upgraded look and feel of the conventional point-of-sale
- Excellent ergonomic and simple design
- Module architecture for efficient chassis integration.
- Strong, Easy Maintenance, Fashion and Fanless Design.
- Favorable and popular POS system for all market tiers and levels.
- Modular motherboards with hard drives can be easily extracted replacement.



15 inch Full-flat Touch Screen



MSR Module



Rear Mount VFD Display



10.4" Secondary



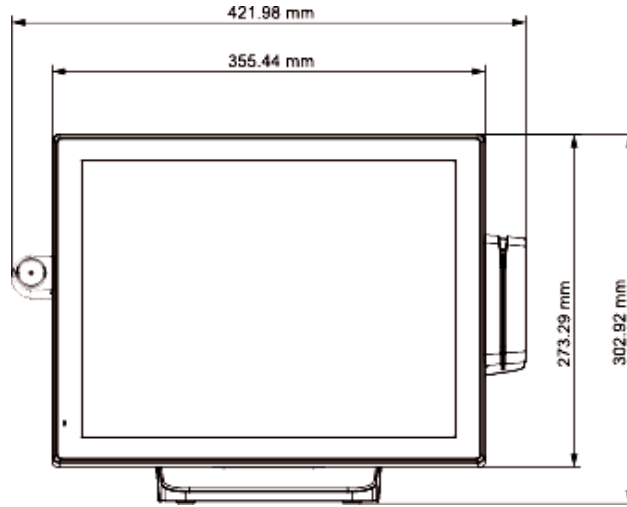
Easy HDD Replacement



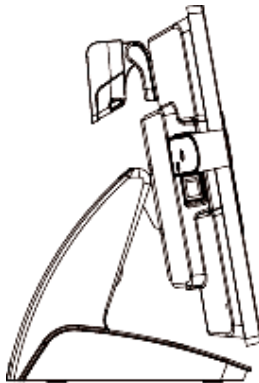
Sleek & Compact Design



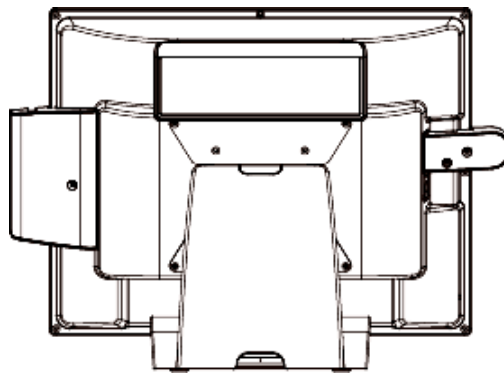
- **Dimensions**



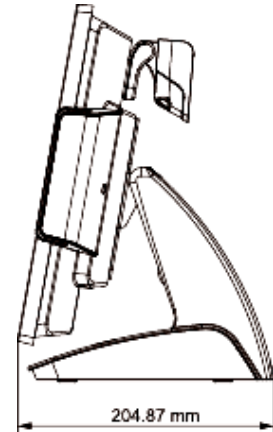
**Front View**



**Left View**



**Rear View**



**Right View**



- Specifications**

<b>Model</b>		<b>POS-1000B-P</b>
<b>Main System</b>		
Processor	Intel® Bay Trail-D Celeron® J1900 Quad Core (2M Cache, up to 2.42 GHz)	
BIOS	AMI UEFI BIOS	
System Memory	1 x 204-pin DDRIII L (1.35V) 1333 SODIMM, up to 8GB	
Storage	1 x 2.5" SATA 2.0 HDD/SSD (default); m-SATA (option)	
LCD Panel	15-inch TFT LED Screen 1024 (W) RGB x 768(H) 300nits	
Touch Panel	True-Flat Projected Capacitive Multi Touch (PCAP) True-Flat 5-wire Resistive Touch (RTP)	
Audio	1 x 2W High Quality Speaker	
<b>I/O Interface</b>		
External I/O Interface	6 x USB type A	
	1 x RJ45 10/100/1000Mbps Giga Ethernet	
	3 x COM (DB9) and 1 x COM (USB), RI/5V/12V support	
	1 x DB25 Parallel Port (option)	
	1 x DB-15 VGA Port	
	1 x RJ11 port supports 2 cash drawer with 12V or 24V by jumper	
	1 x +12V Power Out	
	1 x Standard Mini-DIN 4PIN type	
<b>Power Management</b>		
Power Adapter	Input : 100V ~ 240V/50 ~ 60Hz Input; Output : 12V@5.0A, 60W Adapter	
<b>Mechanical &amp; Environment</b>		
Dust and Water	IP65 with Front Panel Only	
Tilt Adjustment	15° ~ 85 °	
Dimension	356 (W) x 303 (H) x 205 (D) mm	
Weight	5 KG	
Certification	CE/FCC PART 15B/LVD	
Operation System	Windows 7/POSReady 7/Windows Embedded 8.1 Industry/ Windows 10 IoT/Linux	
Operation Condition	0°C to +40°C / 20 to 80% without condensation (Equipped with HDD)	
Storage Condition	-20°C to +55°C / 20 to 85% without condensation	
<b>Optional Accessories</b>		
2 <sup>nd</sup> Display	8" (800x 600), 10.4"(800x600) and 15" (1024x768) LCD Display; Option : PCAP Touch Panel	
Customer Display	VFD, 20 Columns x 2 Lines	
MSR	Bi-directional, Comply with ISO 7811 and Three Track support	
i-Button	Dallas i-button Reader	
VESA Bracket	VESA-Compatible, 75 x 75 (mm)	

